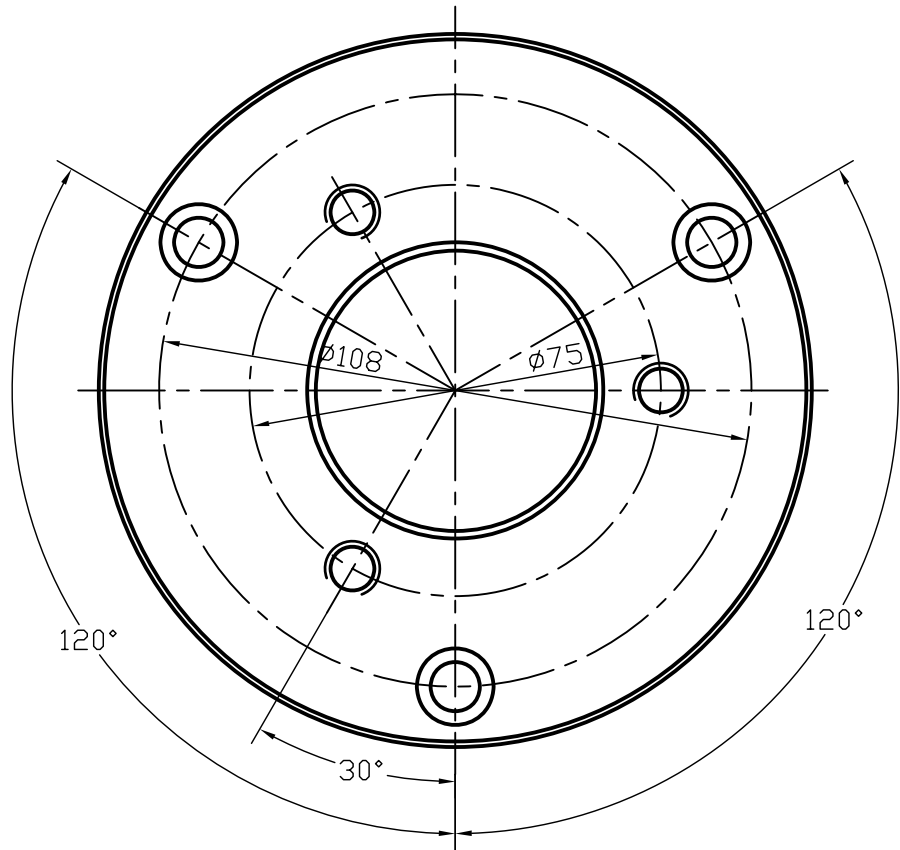
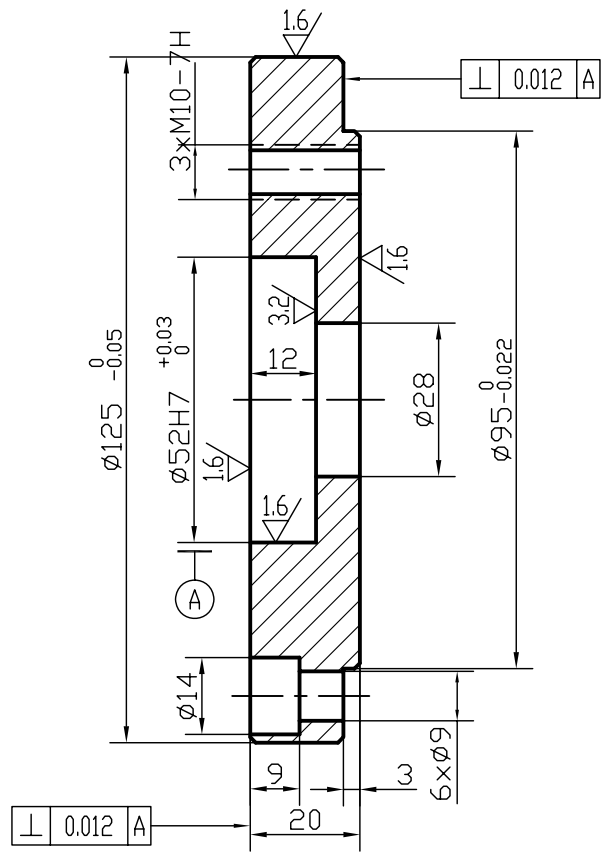


6.3



				Designed by	Verif. by	Approval date	Filename	Date	
								22.02.2011	
				OPTIMUM <small>MASCHINEN - GERMANY</small> Dr.-Robert-Pfleger-Str. 26 D-96103 Hallstadt			jaw chuck flange 125mm		
Ind.	Modification	Day	Name				344 0511	Edition	Sheet
					1	1 of 1			